



B-fix

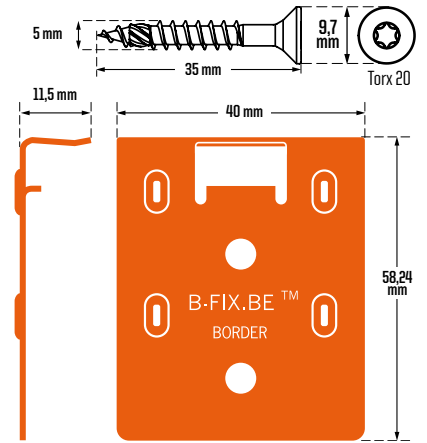
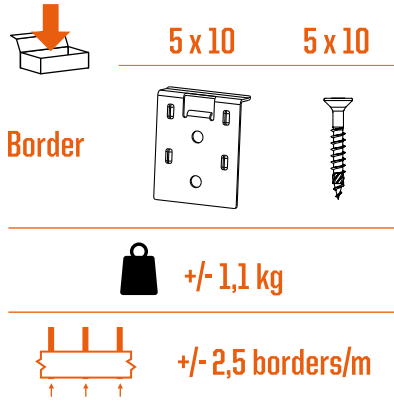
Border

Manufactured in Stainless Steel, this system ensures optimal attachment. Because of its simplicity, it saves valuable time when installing. Placed on millions of m² and tested on many natural and synthetic boards, it is the ideal partner for your decks and cladding.



Characteristics

-  **invisible attachment of first and last boards**
-  **high finish level, invisible on all boards**
-  **quick and easy installation: 40% time savings**
-  **respects wood movement: «spring effect»**
-  **local disassembly possible**
-  **usable with 3 different profiles**
-  **installation on decks and cladding**
-  **reinforced stainless steel self-drilling screws**
-  **specialist approved**
-  **patented system**
-  **made in Belgium**



Profiles

3 compatible profiles



B-Fix Classic

B-Fix Plus

B-Fix Premium



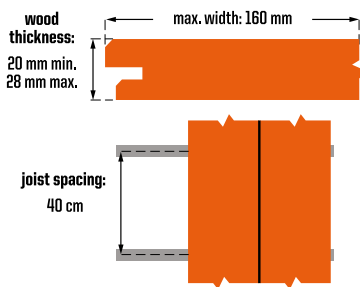
Materials



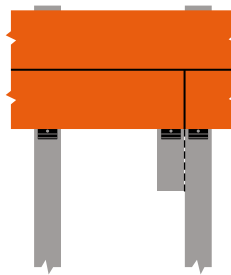
B-Fix Border: 301 stainless steel

B-Vis Border: A2 stainless steel
+ silver coating

Recommended material



Butting

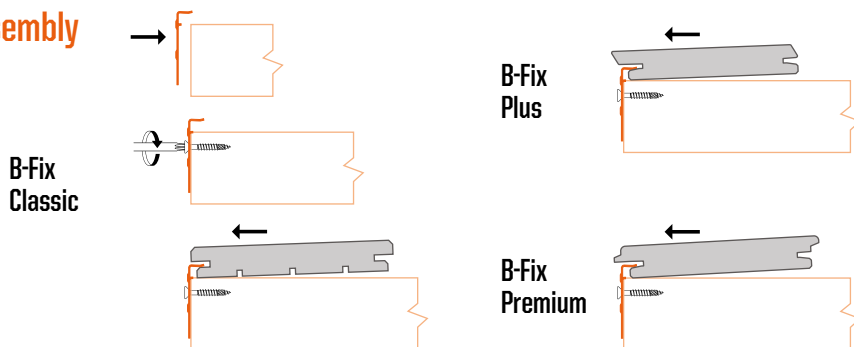


Tested wood

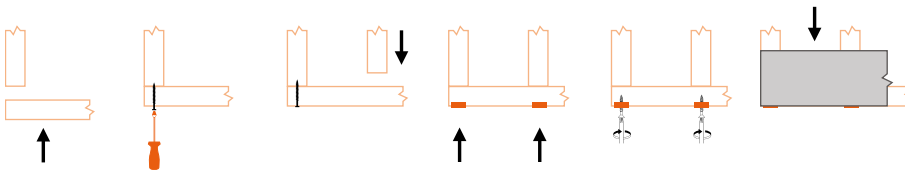


Ipe, Padouck, Afrormosia, Cumaru, Itauba, Tali, Limbali, Larch, Douglas, Bamboo, Teak, Jatoba, Merbau, Garapa, Massaranduba, thermo wood, composite, Accoya wood, Afrikulu, ...

Assembly



Joists



Installation conditions



Humidity target

| | Le Zoute | Brussels | Lille | Marseille |
|---|----------|----------|-------|-----------|
| | 22 | 22 | 22 | 17 |
| + | | | | |
| | 18 | 16 | 14 | 11 |
| | 2 | 2 | 2 | 2 |
| | = 20% | = 19% | = 18% | = 14% |

Distributed by:



+32 10 400 790
+33 1 747 13 834
+32 10 400 795
+33 1 747 13 835

info@b-fix.be
Drève des 4 Chênes, 1
1495 Villers-la-Ville
Belgium
www.b-fix.be